



## LGQ SERIES WALL-MOUNT FIBER ENCLOSURE

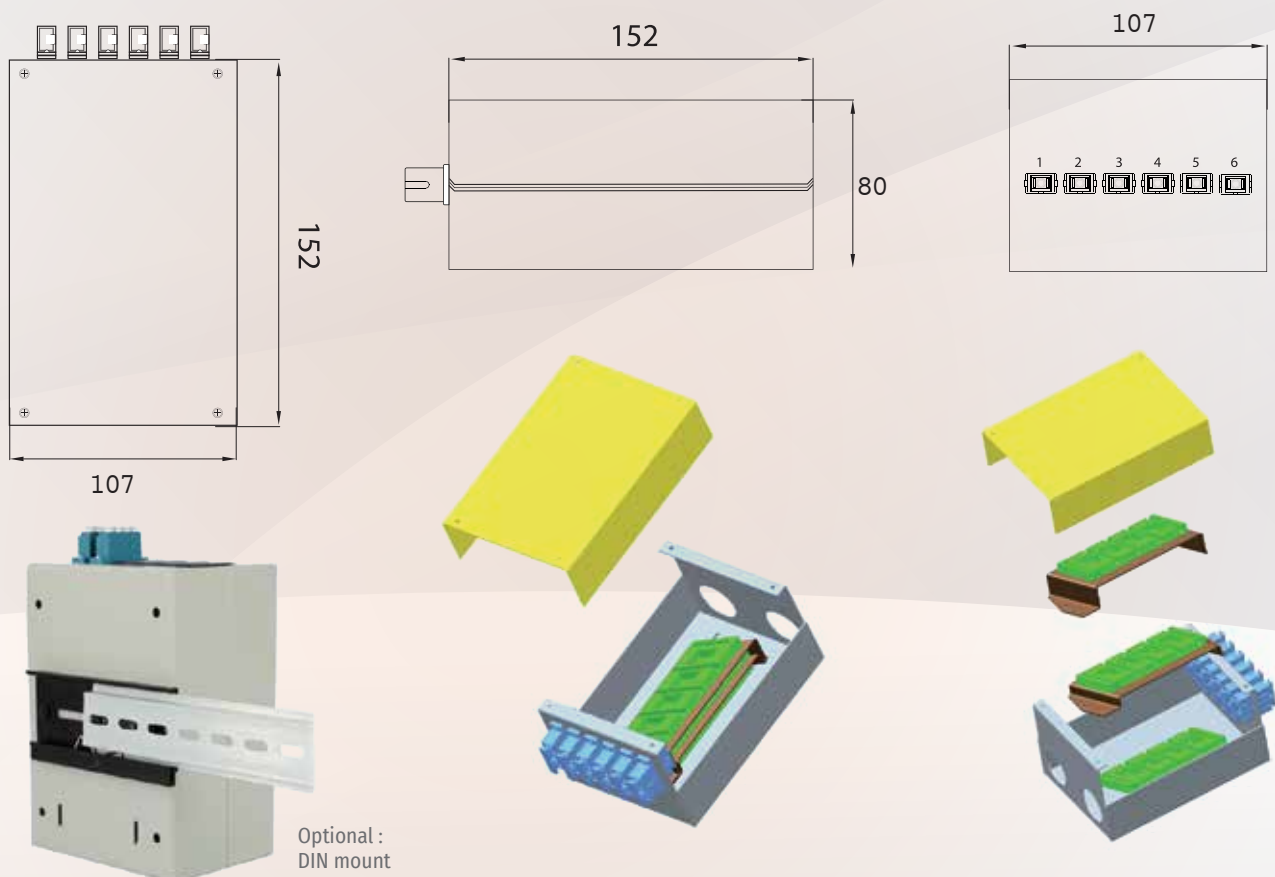
### Features

- Very Compact, Light weight, Ruggedized and durable construction
- Suitable for SC, LC, FC or ST adapters.
- Convenient access for installation, maintenance and termination
- Comply with TIA / EIA 568D(2018), Bellcore GR-326, IEC60874-10, Telcordia, JIS IP55 compliance
- DIN mount optional

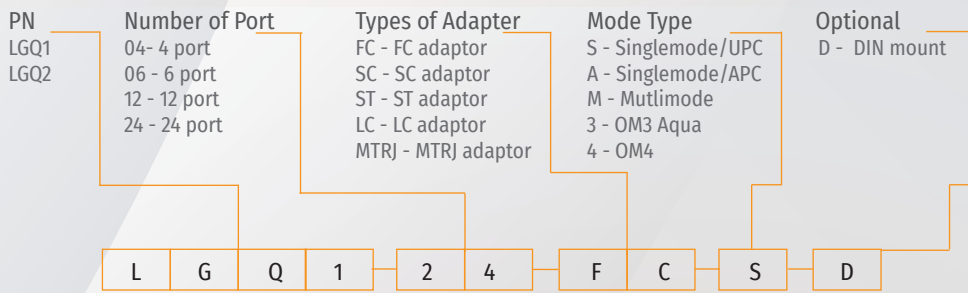
### Specifications

Parameter	LGQ1	LGQ2
No. of Cable Entry Ports	2	2
No. of Adaptor Plates (Max.)	≤12 SC / ST / FC (LC24)	LC 24
No. of Splice Tray (Max.)	1	1
Material	Metal(cold-rolled steel)	Metal(cold-rolled steel)
Color	Beige	Beige
Dimension (Height)	80mm	80mm
(width)	107mm	107mm
(Depth)	152mm	152mm
Weight (Net)	0.8kg	0.8kg

### Product Diagram



## Ordering Information



\*Ordering code example