

LTXMS Series 19" Slide-out Rack Mount Enclosure



Features

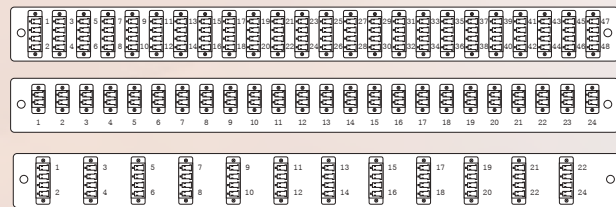
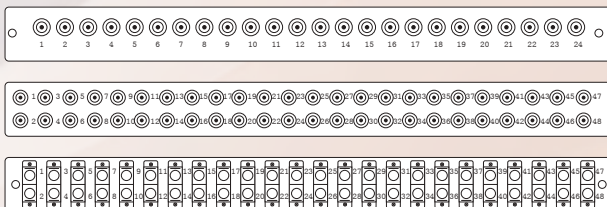
- Slide out design, easy to access the rear and splice tray
- Dual mounting poles for outdoor armored cable
- Front patchcord tray for front & side cable management
- Comply with TIA / EIA 568D(2018), Bellcore GR-326, IEC6 0 8 7 4-10, Telcordia, JIS compliance
- Short depth 210mm

Specifications

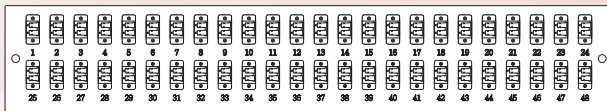
Parameter	1U	2U	3U	4U
No. of Ports (Max.)	≤ 48	≤ 96	≤ 144	≤ 192
	≤ 96(LC port)	≤ 192(LC port)	≤ 288(LC port)	≤ 384(LC port)
No. of Cable Entry Ports	6	4	4	4
No. of Splice Tray (Max.)	2	4	6	8
Material	Aluminum alloy			
Color	Black			
Dimension (Height)	45mm	90mm	135mm	180mm
(width)	460mm	460mm	460mm	460mm
(Depth)	210mm	210mm	210mm	210mm
Weight (Net)	2.7kg	3.2kg	3.5kg	4.1kg

Adaptor Plate

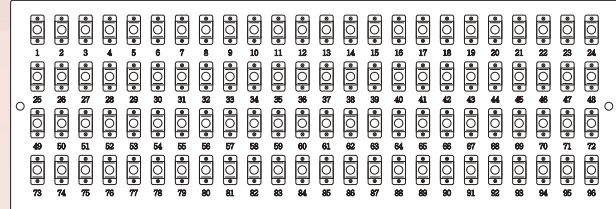
• 1U type



• 2U type

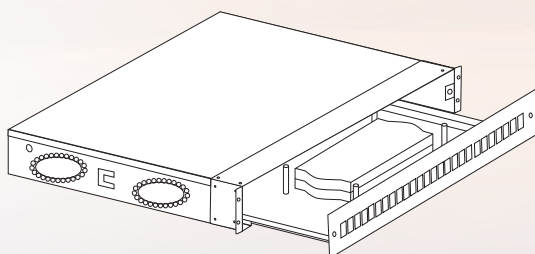


• 4U type

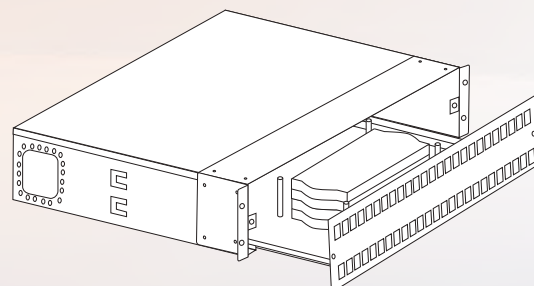


Product Diagram

1U type

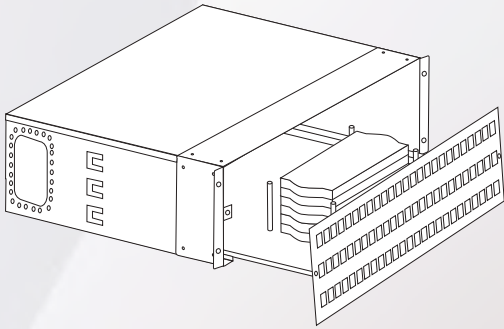


2U type

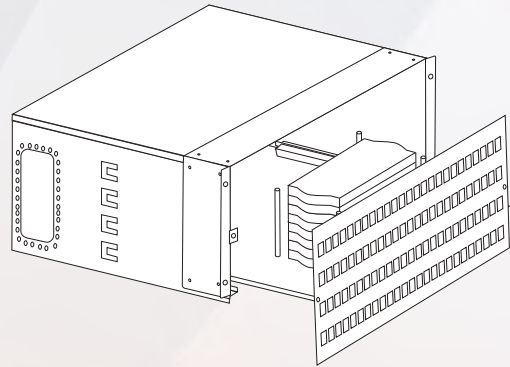


Product Diagram

3U type



4U type



Ordering Information

PN	Number of Port	Types of Adapter	Mode Type
LTXMS 1 - 1U	06 - 6 port	FC - FC adapter	S - Singlemode/UPC
LTXMS 2 - 2U	12 - 12 port	SC - SC adapter	A - Singlemode/APC
LTXMS 3 - 3U	24 - 24 port	ST - ST adapter	M - Mutlimode
LTXMS 4 - 4U	48 - 48 port	LC -LC adapter	3 - OM3 Aqua
	-----		4 - OM4
	384 - 384 port		

L T X M S 2 0 6 F C S

*ordering information example