



LC Uniboot Push Pull Tab connector patchcord

Lightem LC Uniboot Pull Tab connector is developed for fulfilling the latest application scenario at where limited space is available. 3mm dual fiber cable achieves less space and easy cable management. Push Pull Tab design allows easy installation and maintenance job done. It is used in broad area of the communications environment, from a telecom distribution room to a local area network closet.

Features

- Push Pull Tab design
- Compact, pull-proof design
- 3mm dual fiber cable for saving space
- Low insertion loss and low back reflection
- High precision alignment

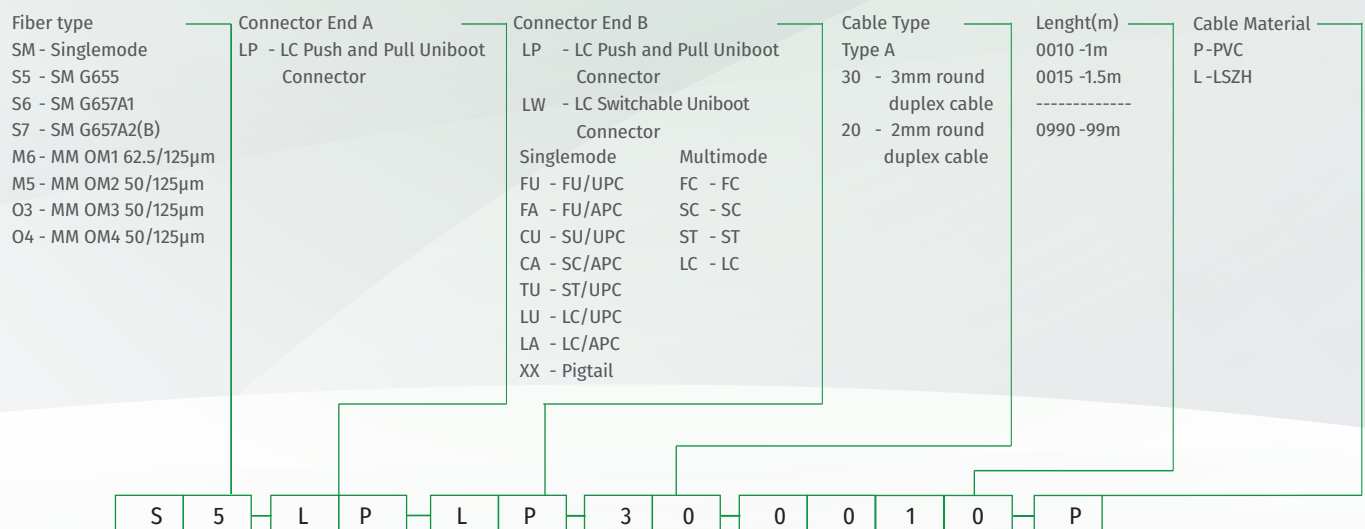
Applications

- Termination enclosure to equipment patching
- Equipment to equipment patching
- Cross-connect patching (for high density patching)

Specification

Parameters	SM(Single Mode)		MM(Multimode)	
	G652/G655/G657		OM1	OM2/OM3/OM4
Fiber Diameter (um)	9/125		62.5/125	50/125
Cable OD	3mm / 2mm			
Endface Type	UPC	APC	PC	PC
Typical Insertion Loss (dB)	<0.15	<0.2	<0.1	<0.1
Return Loss (dB)	>50	>60	/	/
Anti-tensile Force (N)	>70			
Temperature Range (°C)	-40-80			

Ordering Information



*Ordering code example