



## Fiber Optic Splitter - Planar Lightwave Circuit Splitter

### Features

- Compact package convenient for small application & high density areas
- Jacketing material rated to -40°C to +85° C
- Bend insensitive G.657A fiber
- Low insertion Loss and PDL
- High polarization extinction ratio & excellent uniformity
- Offering unique designs and configurations & supporting industry standard applications

### Applications

- FTTx Deployments (GPON/BPON/EPON)
- CCTV/CATV Links
- Access/Metro Networks
- Long Haul Telecommunications

### Technical Specifications

#### Parameters

Operating Wavelength	1260 ~ 1650 nm
Fiber Type	G657A2
Return Loss	≥50 UPC or ≥55 APC dB
Directivity	≥55 dB
Input Length	≥1.0 m
Output Length	≥1.0 m
Operational Temperature	-40° C ~ +85° C
Storage Temperature	-40° C ~ +85° C

### Splitter Specifications

#### Parameters

Ports	1x2	1x4	1x8	1x16	1x32	1x64
Insertion Loss*	3.80dB	7.10dB	10.20dB	13.50dB	17.00dB	20.40dB
Uniformity	0.5dB	0.6dB	0.7dB	1.0dB	1.2dB	1.5dB
PDL	0.10dB	0.10dB	0.10dB	0.15dB	0.20dB	0.25dB
Operating wavelength	1260-1650mm					

\* Including connector loss

#### Parameters

Ports	2x2	2x4	2x8	2x16	2x32	2x64
Insertion Loss*	4.0dB	7.30dB	10.80dB	14.20dB	17.20dB	20.60dB
Uniformity	0.80dB	0.80dB	1.5dB	1.0dB	2.5dB	2.5dB
PDL	0.10dB	0.10dB	0.10dB	0.15dB	0.20dB	0.25dB
Operating wavelength	1260-1650mm					

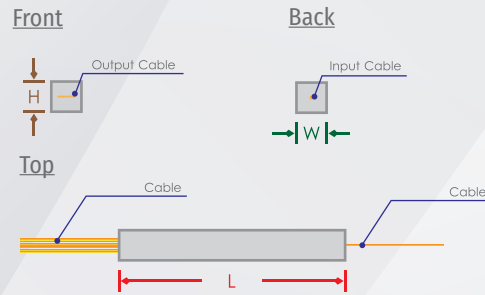
\* Including connector loss

### PLC Mini Splitter Packaging

#### Parameters

	1x2	2x2	1x4	1x8	2x4	2x8	1x16	1x32	2x16	2x32	1x64	2x64
Package (Length)		40.0mm				50.0mm			60.0mm		60.0mm	
Dimension (Width)		4.0mm				7.0mm			7.0mm		12.0mm	
(Height)		4.0mm				4.0mm			4.0mm		4.0mm	

## Product Diagram

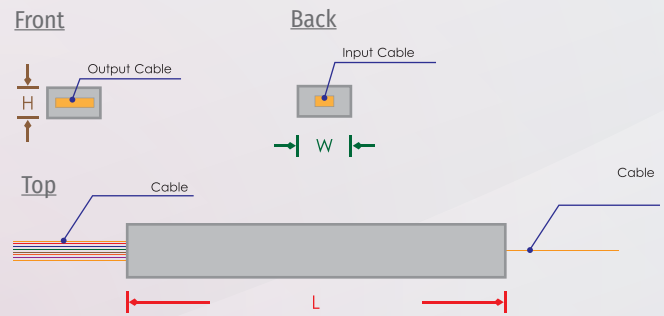
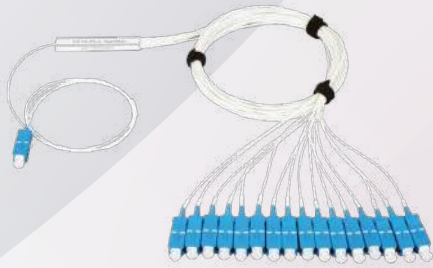


## PLC 0.9mm Module Type Packaging

Parameters

	1x2	1x4	1x8	2x8	1x16	1x32	1x64
Package (Length)			60.0mm		60.0mm	80.0mm	100.0mm
Dimension (Width)			7.0mm		12.0mm	20.0mm	40.0mm
(Height)			4.0mm		4.0mm	6.0mm	6.0mm

## Product Diagram

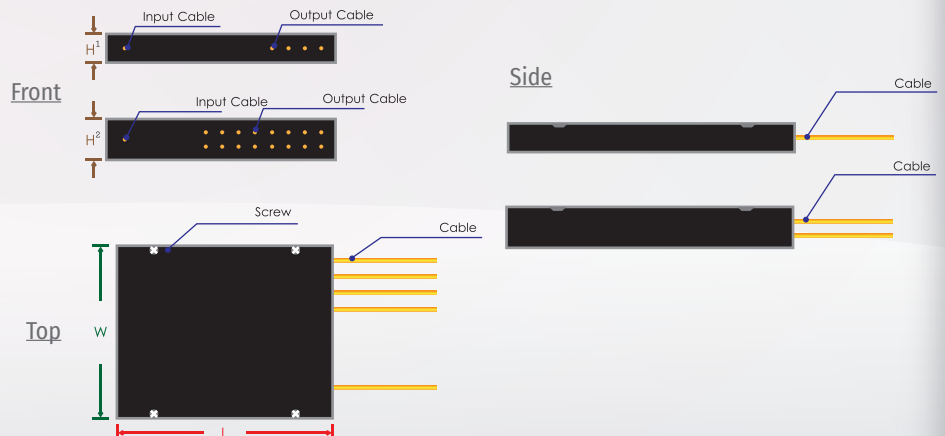


## PLC Module Type Packaging

Parameters

	1x2	1x4	1x8	1x16	1x32	1x64
Package (Length)			100.0mm		120.0mm	
Dimension (Width)			80.0mm		80.0mm	
(Height)			10.0mm		18.0mm	

## Product Diagram



# PLC LGX Module Type & Rack Mount Type



## Features

- Industry-standard bulkhead style
- LGX-style available
- Highest splitter densities to maximize rack space
- Flexible and scalable platforms
- Rugged BUT lightweight packaging for solid protection and durability
- Full bend radius protection throughout modules
- Many input/output options for easy integration
- SC, LC and FC connector/adaptor options

## Applications

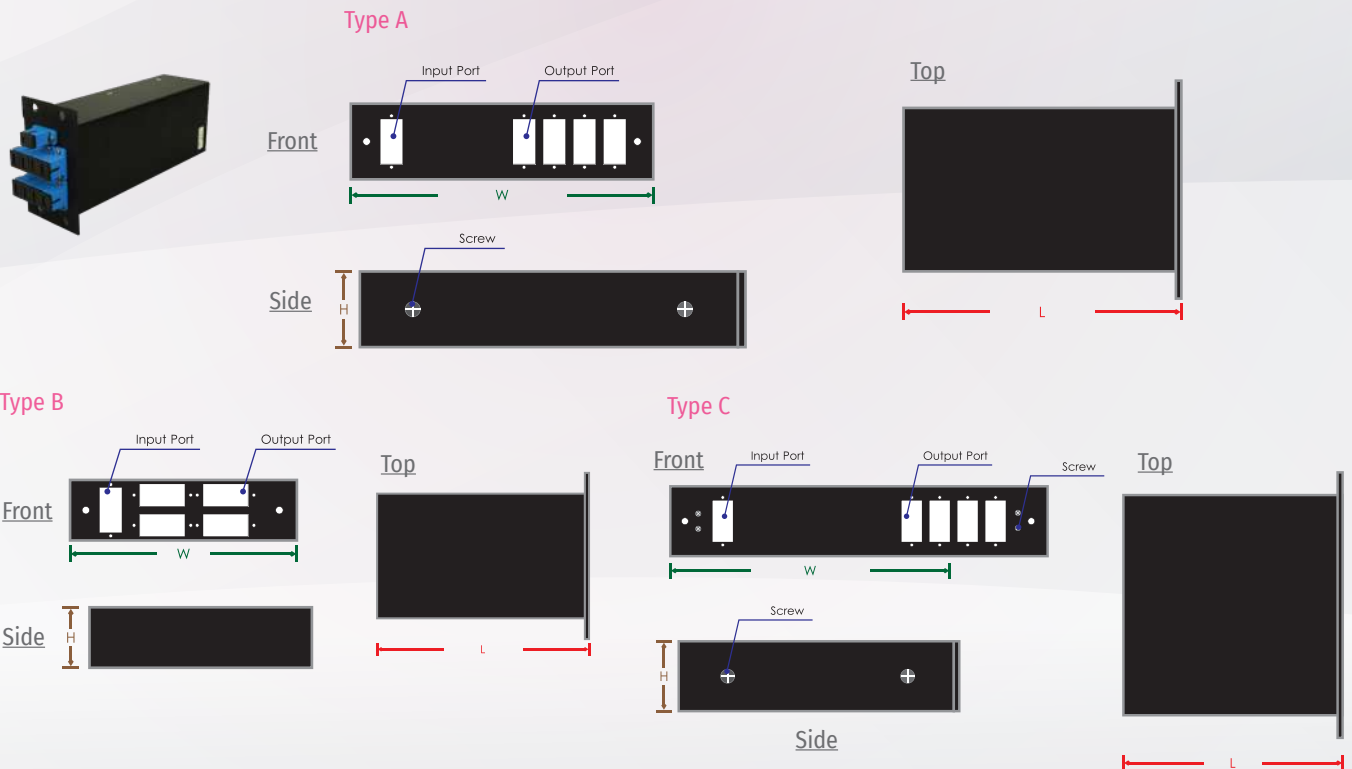
- FTTx Deployments (GPON/BPON/EPON)
- CCTV/CATV Links
- Access/Metro Networks

## PLC LGX Module Type Packaging

Parameters

	1x2			1x4			1x8		
	Type A	Type B	Type C	Type A	Type B	Type C	Type A	Type B	Type C
Package (Length)	155.0mm	90.0mm	117.0mm	155.0mm	90.0mm	117.0mm	155.0mm	170.0mm	117.0mm
Dimension (Width)	129.0mm	88.0mm	182.0mm	129.0mm	88.0mm	182.0mm	129.0mm	88.0mm	182.0mm
(Height)	29.0mm	26.0mm	44.0mm	29.0mm	26.0mm	44.0mm	58.0mm	52.0mm	44.0mm

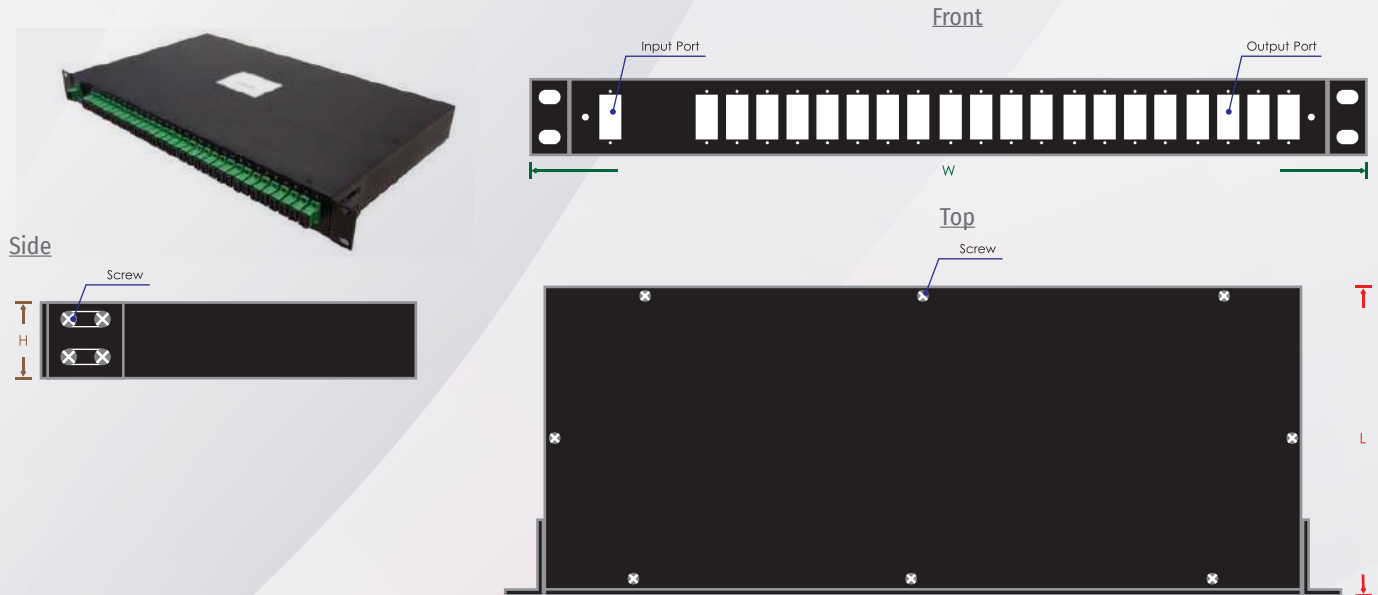
## Product Diagram



# PLC Rack Mount Type Packaging

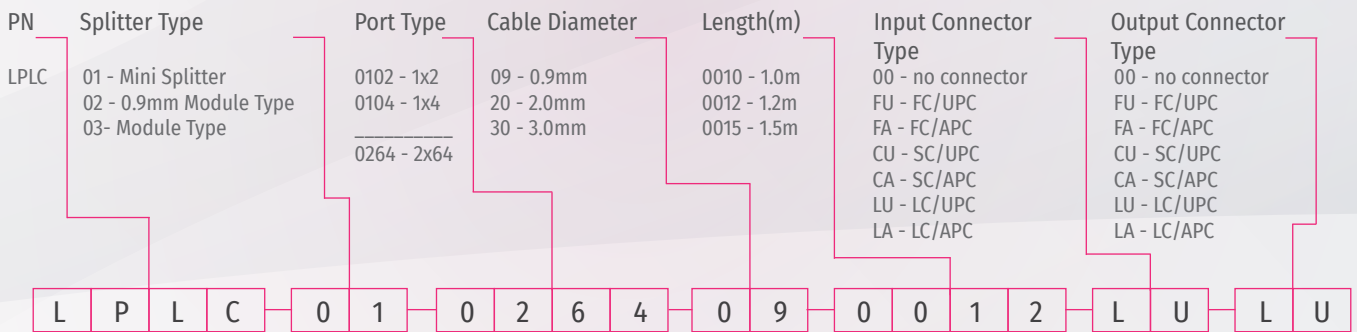
Parameters	1X16	1X32	1X64
Package (Length)		251.0mm	
Dimension (Width)		482.5mm	
(Height)		43.6mm	

## Product Design

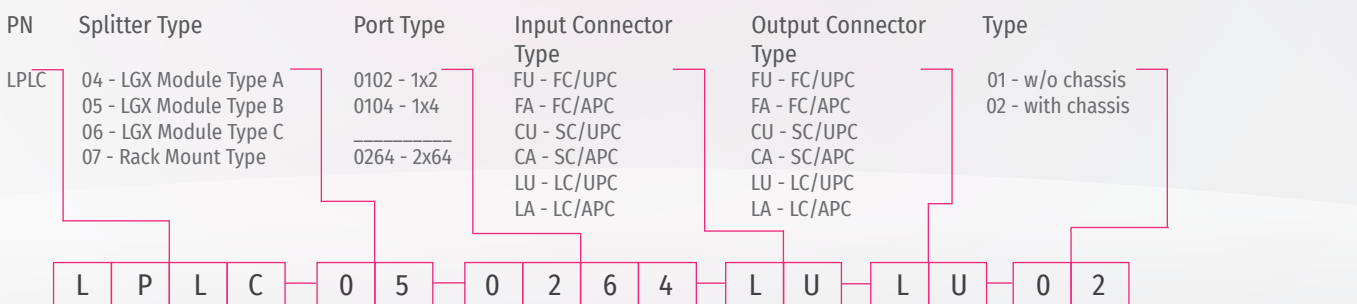


## Ordering information

### 01 ~ 03 Type



### 04 ~ 07 Type



Remark: 1. Support LGX module type only.

\* Ordering Code Example