

## Fiber Attenuator/Terminator - In-line Fixed Attenuator

Lightem In-line Attenuator is ideal for application where space is critical. The patchcord type configuration allows direct linkage without any additional device in between. Built-in attenuation value patchcord is designed to provide accurate fixed attenuation value from 1-20dB (1dB step up), 25dB and 30dB over a wide range of wavelengths. Available in PC or UPC finish providing ultra low return loss. Lightem In-line Attenuators come to you from a world class manufacturing facility plant, suitable for applications in computer networking, telecommunications and cable TV etc.

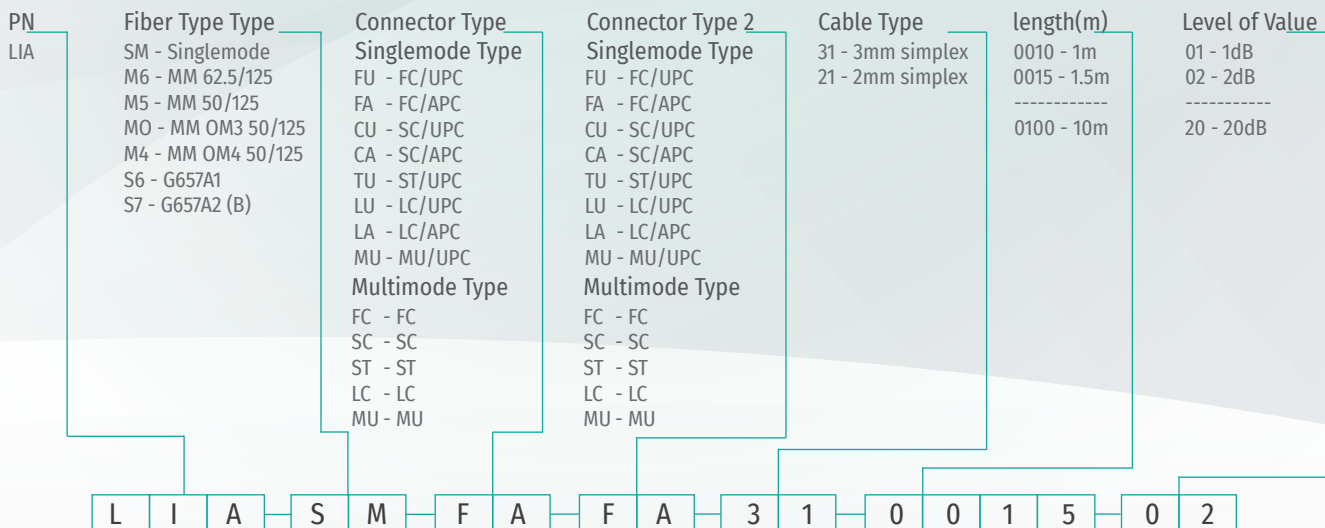
### Features

- Optimized ion doped fiber technology
- Various Fixed attenuation available
- Superior durability
- Low polarization dependence
- Superior spectral flatness and very low ripples
- Withstands high optical power up to 1W Telecordia std(GR-910-CORE) conformed

### Specifications

Parameters		Singlemode (9/125 μm)	Multimode (GI 50/125,62.5/125 μm)
Attenuation value		0dB to 20dB (1dB step), 25dB, 30dB	0dB to 25dB (1dB step)
Operating wavelength		1260nm ~ 1620nm	850nm or 300nm, 1310nm
Attenuation Tolerance		± 0.5 dB	± 0.5dB
Return Loss	SPC	≥ 40dB	
	UPC	≥ 55 dB	
	APC	≥ 65 dB	
Max. Power Capability			<0.1 dB
Operating Temperature			-40°C to + 75°C

### Ordering information



\* Ordering Code Example